

SL MIKRO CI

At just 138 × 54 × 26 mm, the Artcoustic Mikro disappears into walls or ceilings yet delivers astonishing output and clarity.

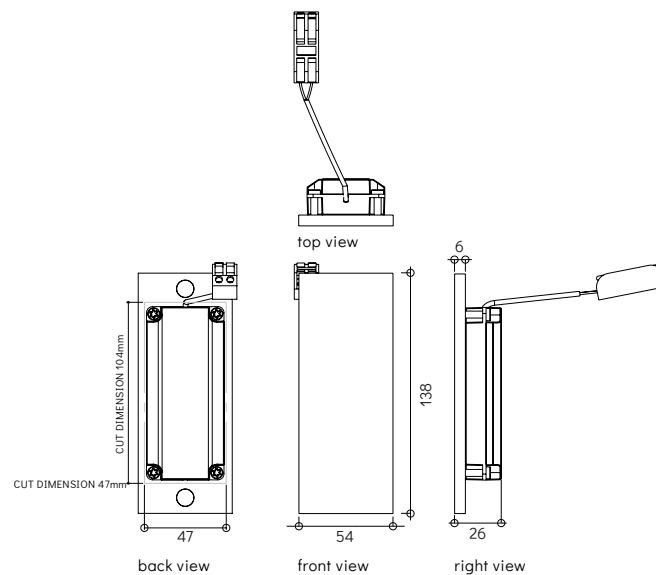
With Smart-Fit magnetic installation, 100s of colour options, and weather-resistant design, Mikro Ci is perfect for both residential and commercial spaces. Pair with an Artcoustic subwoofer for a discreet, full-range high-fidelity system.



Frequency range 300 Hz to 40 kHz
 Usable LF response 297 Hz (-6 dB)
 Coverage window 80° Horizontal, 80° Vertical
 Sensitivity @ 1 Watt 86 dB
 Power handling 15 Watt
 Maximum continuous SPL @ 1 meter 102 dB
 Maximum acoustic peak SPL crest factor 6 @ 1 meter 108 dB
 Rated Impedance 8 ohms
 Weight: 0.2 kg
 Dimensions: H: 138 W: 54 D: 26 mm
 Screen: Black, White, RAL/NCS Colours.

SCHEMATICS

dimensions are in mm



POLAR RESPONSE

